

USE

The servomotor SM90 operates **IDROSFER** two and three-way ball valves ready for motorization "EASY CLICK" type:

ART. 105 - 109 - 88 - 89 - 95 MEC from DN 10 to DN 32

ART. 78 - 79 MEC from DN 10 to DN 25

ART. 92 - 93 MEC from DN 10 to DN 32

The coupling of the servomotor to the valves is directed by the central stem screw.

CONSTRUCTION

The structure is made of self-extinguishing plastic (UL 94 VO) to high mechanical strength (30% FV polycarbonate cover and base, 60% FV polyamide transmission plates) and is equipped with a cable-press M16x1.5 (always in Polyamide, self-extinguishing).

The gears are made of steel.

The product complies with the essential requirements of the following directives:

CEE 89/336 - 73/23 - 93/68; EU 2002/95 / EC; EU 2002/96 / EC (ROHS and WEEE).

OPERATION

The servomotor SM 90 can be controlled by:

- Regulator **ON - OFF** (thermostat, remote control switch, manual switch)
- Temperature controller with modulating output: **OPEN - STOP - CLOSE**.
- Controller with output contacts for interruption (SM90R)

The standard equipment is complemented by an auxiliary switch with output to three points with potential-free contacts (SM 90 - SM 90 R)

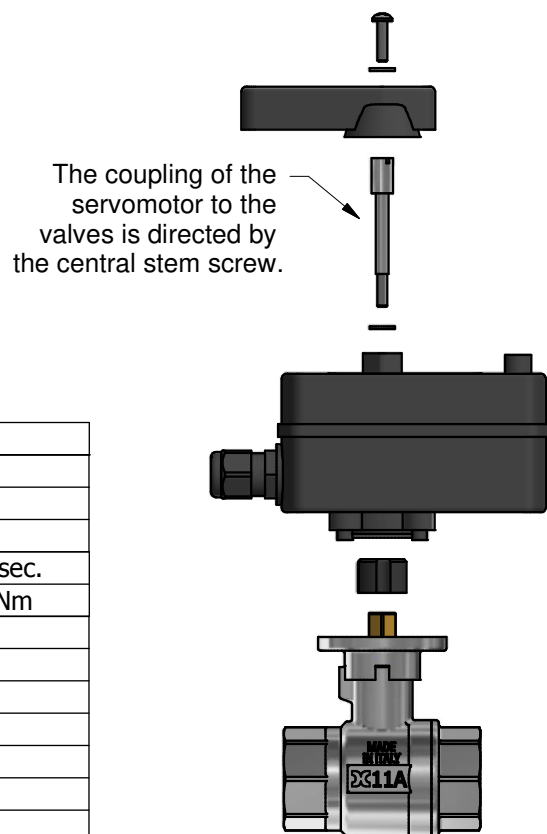
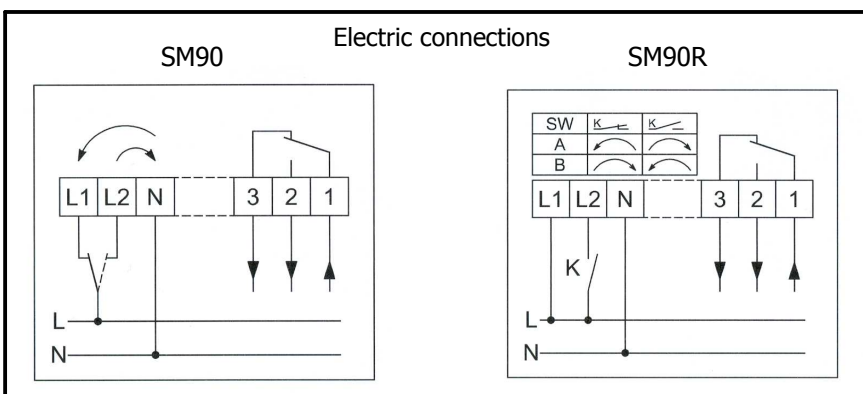
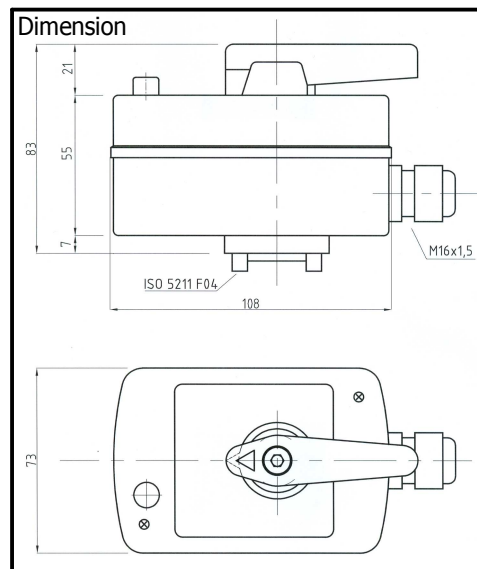
The angular stroke is adjusted to **90°** in factory. Acting on the cams, it can vary in the range: **0° to 180°**.

In the absence of electricity, you can manually position the servomotor by pressing the button on the cover and turning the handle.

When the electricity supply is restored, the servomotor automatically will resume position imparted by the regulator

WARNING

The installation and electrical connection must be performed by staff qualified and in compliance with applicable regulations.



TECHNICAL DATA	SM90-060	SM90-120	
Power supply	230 VAC ±10% - (50 - 60 Hz)		
On request	24 VAC ±10% (50 - 60 Hz)		
Absorption	4 VA		
Time for 90° rotation	30 sec.	60 sec.	120 sec.
Max torque	9 Nm	13 Nm	13 Nm
Protection degree	IP50 (IP65 on request)		
Ausiliary microswitch	10 (2) A 250 VAC EN 61058-1		
Max connection power	400 VA		
Relay for unipolar control	model SM90R		
Working temperature	-10° +50°C no condensation		
Weight	0,450 Kg		
Valve connection	Central stem screw		