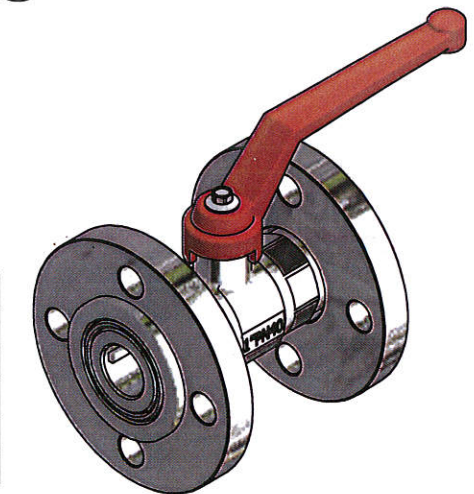


|    |     |     |     |     |     |     |     |     |     |
|----|-----|-----|-----|-----|-----|-----|-----|-----|-----|
| DN | 15  | 20  | 25  | 32  | 40  | 50  | 65  | 80  | 100 |
| L  | 91  | 107 | 117 | 125 | 143 | 160 | 188 | 214 | 254 |
| Ø  | 15  | 20  | 25  | 32  | 39  | 48  | 64  | 78  | 100 |
| H  | 68  | 72  | 82  | 103 | 108 | 114 | 124 | 135 | 163 |
| M  | 110 | 110 | 142 | 198 | 198 | 198 | 240 | 240 | 320 |
| PN | 16  |     |     |     |     |     |     |     |     |

IN ACCORDING TO DIRECTIVE PED 2014/68/EU

| Ref.  | Parts   | Material  | Q.ty |
|-------|---------|---|------|
| 1     | Body    | EN12420-CW617N-nickeled (DN100 chromium plated) | 1    |
| 2     | Ball    | EN12165-CW617N-chromium plated                  | 1    |
| 3     | Seat    | P.T.F.E.  | 2    |
| 4     | Pushrod | EN12164-CW614N                                  | 1    |
| *5    | Gasket  | P.T.F.E.  | 1    |
| **6   | O-Ring  | FPM (Viton)                                     | 1    |
| 7     | Screw   | UNI 7356-CB4FF-DACROMET (DN100 ZINKED)          | 1    |
| 8     | Nut     | EN12164-CW614N                                  | 1    |
| 9     | Sleeve  | EN12420-CW617N-nickeled (DN100 chromium plated) | 1    |
| ***10 | Lever   | EN7369 SGALSI 1                                 | 1    |
| 11    | Flange  | A105 STEEL ZINKED                               | 2    |
| 12    | Union   | EN12420-CW617N-nickeled                         | 2    |
| 13    | O-ring  | NBR   | 2    |



### STANDARD VALVE FEATURES

Working temperature : MIN. -10°C MAX. +100 °C  
 Max pressure : 16 bar  
 Flanged ends : UNI 2223 PN 16 - revolving flanges

### SPECIAL EXECUTIONS ON REQUEST

**FLANGED ENDS PN6 - PN10** Seats: PTFE + 25% CARBOGRAPYTE/  
 Valve : CR brass material PTFE + 25%GLASS - Personal lever  
 Ball : inox AISI 316 steel/Cr brass O-Ring in : FKM/EPDM/HNBR

We don't assume the responsibility if you use products which are not consistent with the material used for the construction of our valves.

To be used as a guide only, IDROSFER reserve the right to change these data without notice.

\* : absent for DN65 - 80 (seal with two O-rings)

\*\* : absent for DN100

\*\*\*: plasticized steel for DN65 - 80

## ASSEMBLY, USE AND MAINTENANCE INSTRUCTION

IN ACCORDING TO DIRECTIVE PED 2014/68/EU

EQUIPMENT PRESSURE DESCRIPTION: TWO AND THREE WAY FLANGED BALL VALVE, WITH BRASS BODY FLOATING BALL

|                     |                                       |
|---------------------|---------------------------------------|
| From DN 15 to DN 65 | DANGEROUS FLUIDS, GROUP 1, TAB. 6     |
| DN 80 and 100       | NOT DANGEROUS FLUIDS, GROUP 2, TAB. 9 |

### USE

For the valves from DN 15 to DN 65 the intercepted fluids can be dangerous fluids of group 1 (including substances and mixtures as defined in Article 2, paragraphs 7 and 8 of Regulation EC no. 1272/2008, classified as dangerous in accordance with the classes of dangerous physical or health re. Annex I, parts 2 and 3 of that Regulation).

In addition, the intercepted fluids must be compatible with the materials used for the construction of the valves: brass, PTFE, PTFE reinforced with carbon graphite, FPM, EPDM, NBR, FKM.

In particular, comburent gases, gases under pressure (including compressed gases, liquefied gases, dissolved gases and refrigerated liquefied gases) and flammable liquids can be used.

**Do not use unstable-self/reactive substances or mixtures** (as defined in Regulation EC no. 1272/2008 § 2.8).

For the valves DN 80 and 100 the intercepted fluids must be only not dangerous fluids (group 2) and must be compatible with the construction materials of ball valve: brass, PTFE, PTFE reinforced carbographite, FPM, EPDM, NBR, FKM.

THE MAX PRESSURES IN ACCORDING TO THE WORKING TEMPERATURES ARE THE FOLLOWING:

|                     |        |                        |
|---------------------|--------|------------------------|
| * temperature<br>°C | PN 16  | Ball's tightness seats |
| * -10 °C ÷ 100 °C   | 16 bar | PTFE                   |

#### \* MATERIAL RESISTENCE'S DATA

### WARNING!

**IT IS USEFUL TO EMPTY THE BALL VALVE AND THE SYSTEM COMPLETELY WHEN THE INTERCEPTED FLUID COULD SOLIDIFY AT TEMPERATURES LOWER THAN 0°C (FOR EX., WATER) AND INCREASE ITS VOLUME DAMAGING ITS SEALING.**

### ASSEMBLY

Before installing make sure the pipe into which the valve is screwed does not show impurities that may damage the ball and the seat tightness causing leaking.

To seal the threadings use a dope compatible with the intercepted fluid without exceeding to avoid unuseful efforts when assembling.

After installing make sure the valve does not undergo stresses due to an exceeding anchorage distance or to unparallel pipes, then, support the pipes with the proper clamps.

The valve must be manoeuvred exclusively with the lever handle supplied with the kit without using any other supplementary lever handles.

Turn the lever handle by 90° clockwise to close the valve until it reaches its beat.

Turn the lever handle by 90° anticlockwise to open the valve until it reaches its beat.

The ball valve must always be fully open or fully closed.

Any intermediate position of the valve may cause long-lasting bucklings of the tightness seats which make the intercepted fluid leak.

To avoid water hammering on the pipes manoeuvre the valve by a gradual rotation.

When testing the systems never use pressures higher than the nominal pressure shown on the valves; that could buckle the seats and the gaskets and damage their sealing irremediably.

### FLANGED VALVES INSTALLATION INSTRUCTIONS

FIGURE 1

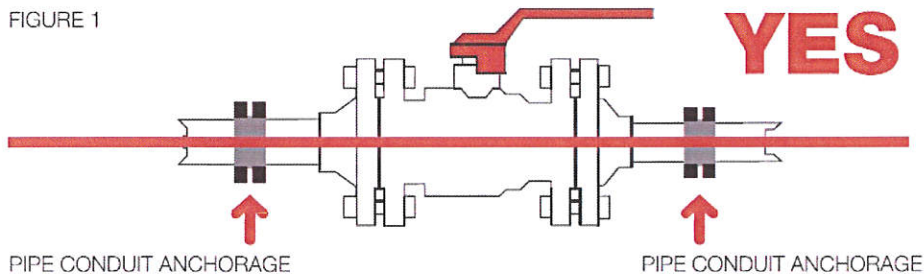
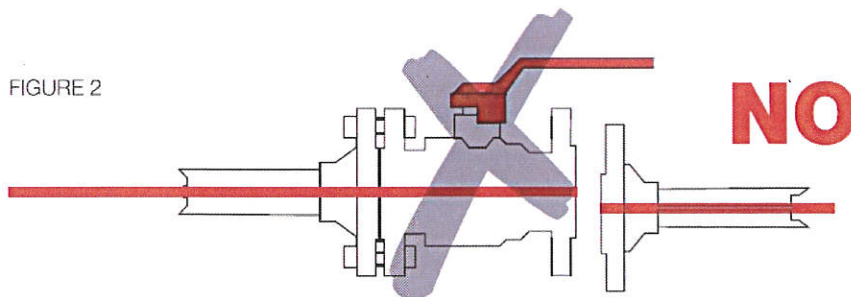


FIGURE 2



1) The pipe conduit must be in axle (figure 1) - inlet/outlet

2) During the tightening of the screw, avoid tractions caused by pipes not in axis or no-conforming connection measures (figure 2)

3) Avoid loads to the valve for not anchored pipe conduit (figure 2)

Please follow instructions for the flanged valves both two and three-way flanged valves.

### MAINTENANCE

Before take a valve apart, make sure that the pipe are not under pressure.

Every six months check the valve visually to verify there are no defects that may cause problems when using it and, if the case, replace it. Before acting on the valve make sure that the pipes are not under pressure.

We are not responsible in case of tampering of our valves without our authorization, in this case the warranty expires.

### WASTE DISPOSAL

After replacement of the valve, it must be disposed according to the laws (about the waste disposal) of the Country of destination.

The waste (disused valve) can also be identified as recyclable material.

### LIST OF INCOMPATIBLE SUBSTANCES

Many chemical substances react in a dangerous way when they come in touch with others.

Please find below a list of the main incompatible substances, by way of a non-limiting example.

|  |  |
|--|--|
| Acetylene  | with copper (piping), halogens, silver, mercury and their compounds  |
| Acetone  | with concentrated mixtures of sulphuric and nitric acid  |
| Acetic acid                                      | with chromic acid, nitric acid, hydroxyls, ethylene glycol, perchloric acid, peroxides and permanganates   |
| Chromic acid                                     | with acetic acid, naphthalene, camphor, alcohol, glycerol, turpentine and inflammable fluids   |
| Nitric acid                                      | with acetic, chromic and cyanogenic acid, aniline, carbon, hydrogen sulphide, fluids, gases and substances that are promptly nitrated                          |
| Oxalic acid                                      | with silver and mercury  |
| Perchloric acid                                  | with acetic anhydride, bismuth and its alloys, alcohol, paper, wood, fats and other organic substances   |
| Hydrogen sulphide                                | with nitric acid and oxidants.   |
| Sulphuric acid                                   | with chlorates, perchlorates, permanganates and water.   |
| Alcohols and Polyols                             | with nitric acid.  |
| Anhydrous ammonia                                | with mercury, halogens, calcium hypochlorite and hydrogen fluoride   |
| Ammonium nitrate                                 | with acids, metal powders, sulphur, combustible materials  |
| Aniline  | with nitric acid and hydrogen peroxide   |
| Silver   | with acetylene, oxalic acid, tartaric acid and ammoniac compounds  |
| Arsenic (materials containing)                   | with any reducing agent  |
| Azidos   | with water.  |
| Chlorine dioxide                                 | with ammonia, methane, phosphine, hydrogen sulphide  |
| Bromine  | with ammonia, acetylene, butadiene, butane, hydrogen, sodium carbide, turpentine and   |
| Activated carbon                                 | with all oxidizing agents, calcium hypochlorite  |
| Cyanides   | with acids and alkali  |
| Chlorates  | with ammonia salts, acids, metal powders, sulphur, finely pulverized organic and flammable compounds and carbon  |
| Chlorine   | with ammonia, acetylene, butadiene, petrol and other by-products of oil, hydrogen, sodium carbide, turpentine and finely pulverized metals                     |
| Chloroform                                       | with sodium and potassium  |
| Chlorides  | with sulphuric acid  |
| Dichloromethane                                  | with sodium and potassium  |
| Chlorine dioxide                                 | with ammonia, methane, phosphine, hydrogen sulphide  |
| Fluorine   | with all other chemical substances   |
| (White) phosphorus                               | with air, oxygen, alkali, reducing agents  |
| Hydrocarbons in general                          | with fluorine, chlorine, formic acid, chromic acid, sodium peroxide  |
| Hydrogen sulphate                                | with nitric acid vapours and oxidizing gasses  |
| Iodine   | with acetylene and ammonia   |
| Hypochlorite                                     | with acids, activated carbon   |
| Flammable fluids                                 | with ammonium nitrate, chromic acid, hydrogen peroxide, nitric acid, sodium peroxide and halogens  |
| Mercury  | with acetylene, fulminic acid, hydrogen  |
| Alkaline metals (e.g. calcium potassium, sodium) | with water, carbon dioxide, carbon tetrachloride, and other chlorinated hydrocarbons   |
| Ammonium nitrate                                 | with acids, metal powders, flammable fluids, chlorates, nitrates, sulphur and finely pulverized organic substances or flammable compounds                      |
| Nitrites and Nitrates                            | with acids   |
| Nitroparaffin                                    | with inorganic bases, amines   |
| Calcium oxide                                    | with water   |
| Oxygen   | with oils, fats, hydrogen, flammable fluids, solids and gasses   |
| Phosphorus pentoxide                             | with water   |
| Potassium perchlorate                            | with sulphuric acid and other acids.   |
| Potassium permanganate                           | with glycerol, ethylene glycol, benzaldehyde and sulphuric acid  |
| Hydrogen peroxide                                | with chromium, copper, iron, most other metals and their salts, flammable fluids and other combustible materials, aniline and nitromethane                     |
| Sodium peroxide                                  | with any oxidizable substance, such as methanol, glacial acetic acid, acetic anhydride, benzaldehyde, carbon disulphide, glycerol, ethyl acetate and furfural. |
| Potassium  | with carbon tetrachloride, carbon dioxide, water, chloroform, dichloromethane  |
| Copper   | with acetylene, azide and hydrogen peroxide  |
| Sodium   | with carbon tetrachloride, carbon dioxide, water, chloroform, dichloromethane  |
| Sodium azide                                     | with lead, copper and other metals. This compound is usually employed as a preservative, but it forms unstable and explosive compounds with metals             |
| Selenium   | with reducing agents   |
| Sulphides  | with strong acids  |
| Carbon tetrachloride                             | Sodium, potassium  |