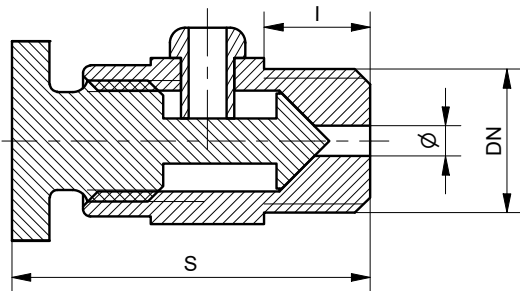
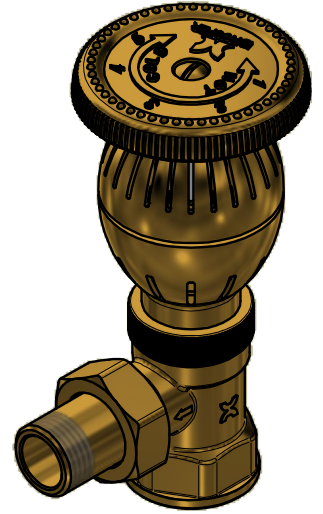
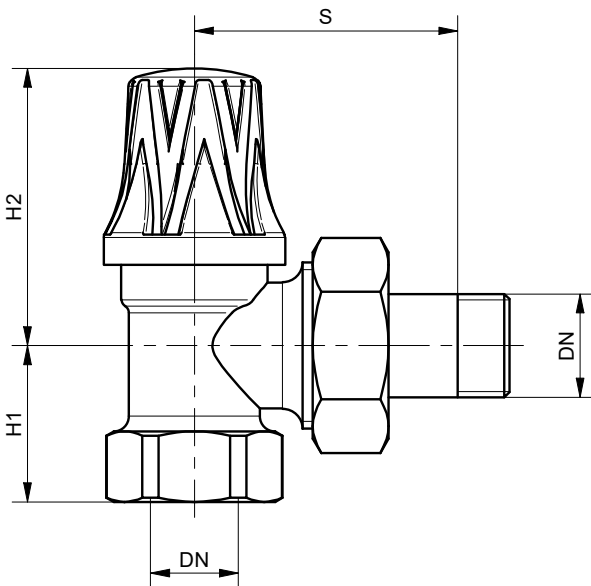


Pos.	Set Temperature °C
1	10 °C
2	15 °C
3	20 °C
4	25 °C
5	30 °C

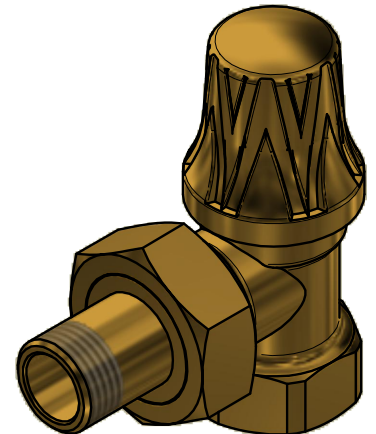
DN	1/2"	DN 15
H1	101	101
H2	31	31
S	46	46
Kg	0.56	0.56
PN	10	



DN	1/8"	1/2"
S min (*)	24	27
S max (**)	26,5	29
∅	2	2
l	7	7



DN	1/2"	3/4"
H1	28.5	28.5
H2	49	49
S	55	50
Kg	0.44	0.41
PN	10	



VALVES FEATURES

THREADED ENDS

ISO 228/1

MAX WORKING PRESSURE FROM +5°C TO +110°C

PN 10 BAR = FROM 1/2" TO 3/4"

